



ALBIN PUMP ALP

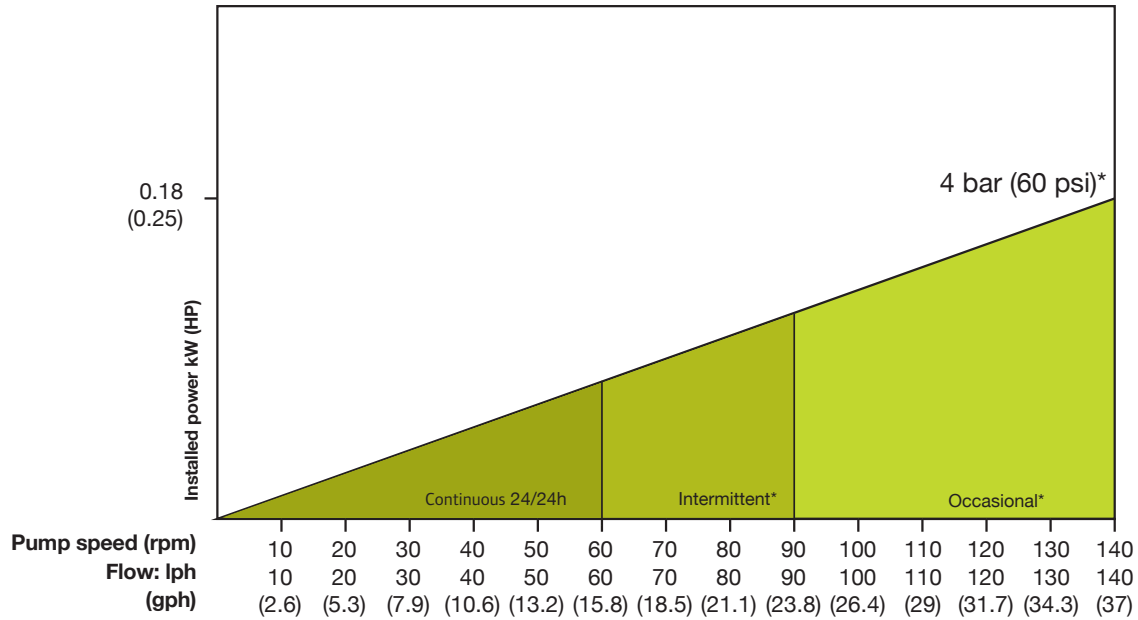
Peristaltic Pumps / Technical Data Sheet





ALP09N

Data Sheet



1 rpm = 1.000 L/hr = 0.2642 gph
 1 rev = 0.0167 L = 0.0044 gal

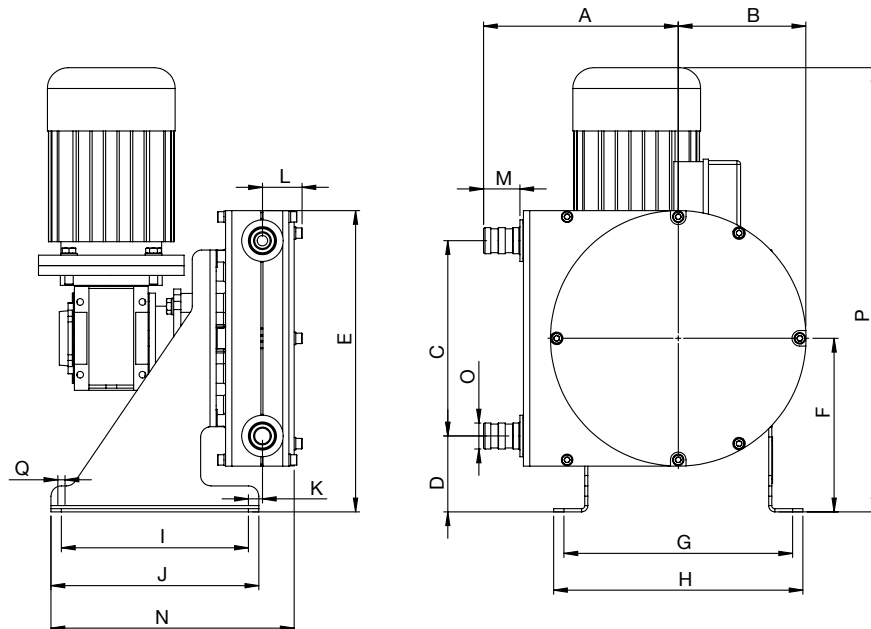
Assembly Weight: 12 kg / 26 lbs

*Intermittent use : minimum one hour stop after 2 hours run / *Occasional use : maximum one hour a day

* 4 bar (60 psi) pressure limit is applicable when using a reinforced hose. The pressure limit when using tubing is 2 bar (30 psi)

DIMENSIONS

mm (Inch)



SIZE	A	B	C	D	E	F	G	H	I	J	K	L	M	N	ØO	P	ØQ
ALP09N-F *	133 (5.2)	89 (3.5)	132 (5.2)	62 (2.4)	217 (8.5)	128 (5.0)	165 (6.5)	184 (7.2)	156 (6.1)	175 (6.9)	12 (0.5)	31 (1.2)	24 (0.9)	207 (8.1)	16* (0.6)	374 (14.7)	6.60 (0.26)
ALP09N-VM*	133 (5.2)	89 (3.5)	132 (5.2)	62 (2.4)	217 (8.5)	128 (5.0)	165 (6.5)	184 (7.2)	156 (6.1)	175 (6.9)	12 (0.5)	31 (1.2)	24 (0.9)	207 (8.1)	16* (0.6)	490 (19.3)	6.60 (0.26)

* Hose barb

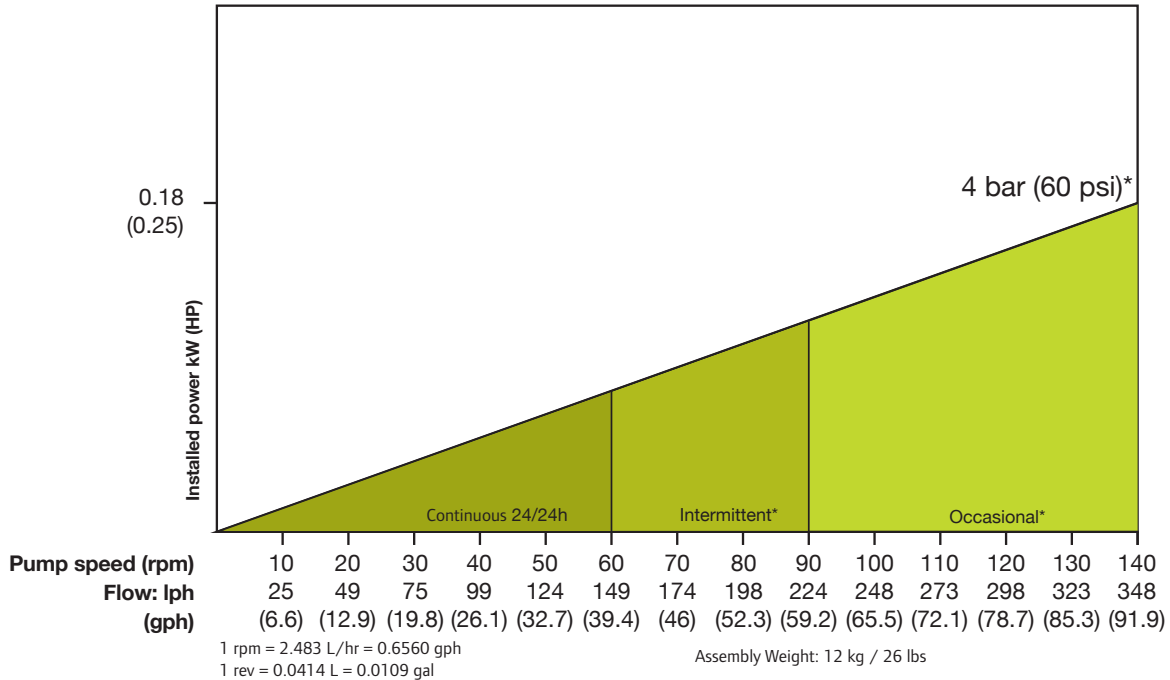
* F = Fixed speed

* VM = Mechanical speed variator



ALP13N

Data Sheet

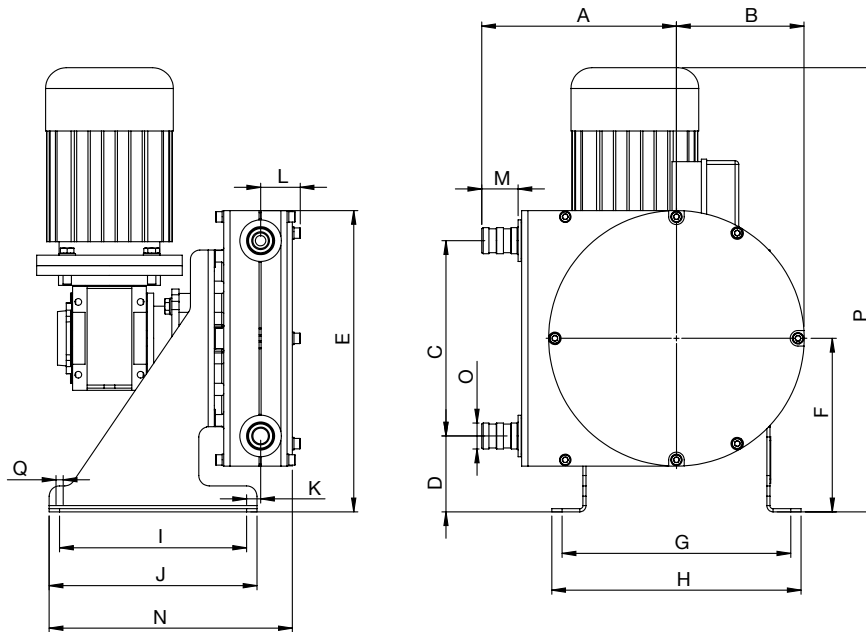


*Intermittent use : minimum one hour stop after 2 hours run / *Occasional use : maximum one hour a day

* 4 bar (60 psi) pressure limit is applicable when using a reinforced hose. The pressure limit when using tubing is 2 bar (30 psi)

DIMENSIONS

mm (Inch)



SIZE	A	B	C	D	E	F	G	H	I	J	K	L	M	N	ØO	P	ØQ
ALP13N-F*	133 (5.2)	89 (3.5)	132 (5.2)	62 (2.4)	217 (8.5)	128 (5.0)	165 (6.5)	184 (7.2)	156 (6.1)	175 (6.9)	12 (0.5)	31 (1.2)	24 (0.9)	207 (8.1)	16* (0.6)	374 (14.7)	6.60 (0.26)
ALP13N-VM*	133 (5.2)	89 (3.5)	132 (5.2)	62 (2.4)	217 (8.5)	128 (5.0)	165 (6.5)	184 (7.2)	156 (6.1)	175 (6.9)	12 (0.5)	31 (1.2)	24 (0.9)	207 (8.1)	16* (0.6)	490 (19.3)	6.60 (0.26)

* Hose barb

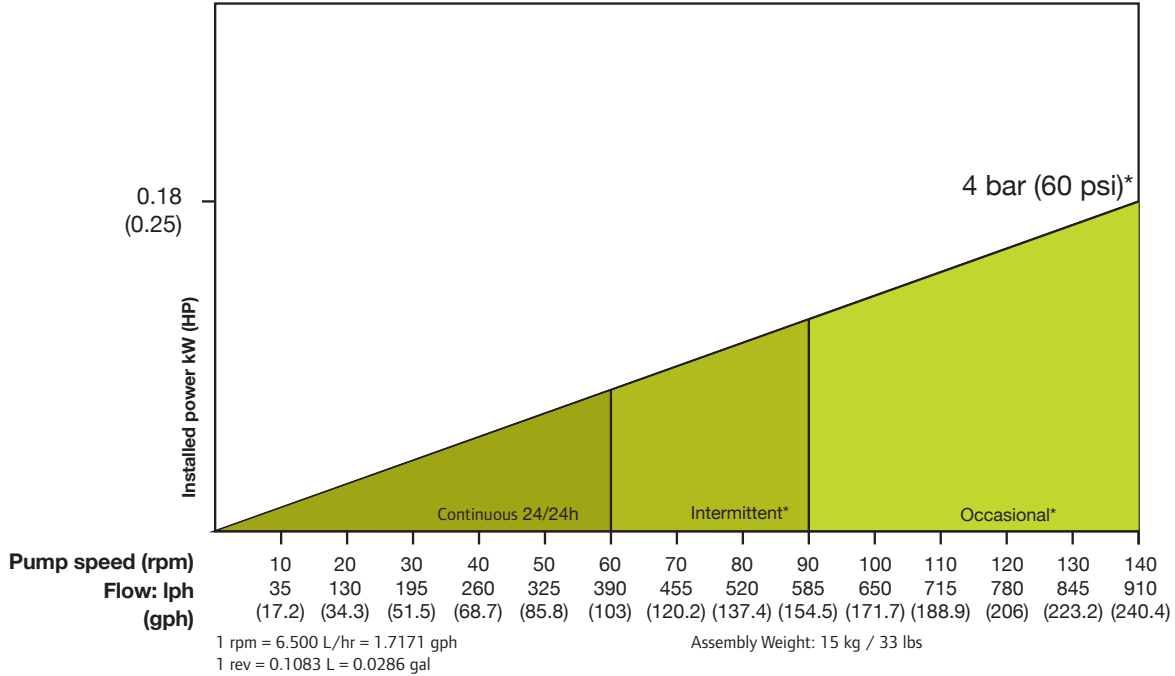
* F = Fixed speed

* VM = Mechanical speed variator



ALP17N

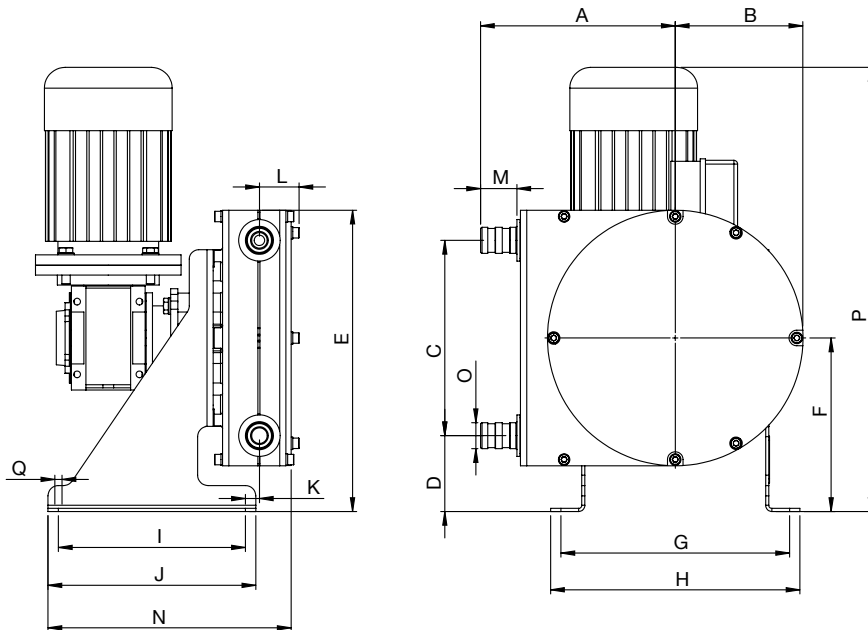
Data Sheet



*Intermittent use : minimum one hour stop after 2 hours run / *Occasional use : maximum one hour a day
 * 4 bar (60 psi) pressure limit is applicable when using a reinforced hose. The pressure limit when using tubing is 2 bar (30 psi)

DIMENSIONS

mm (Inch)

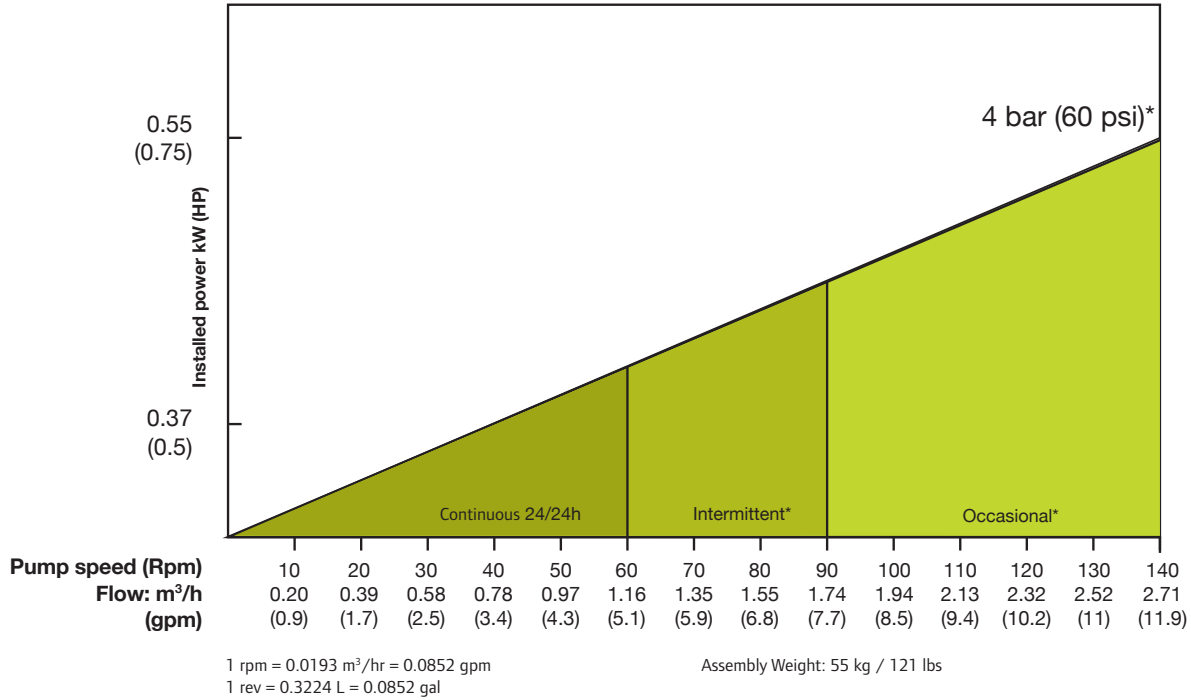


SIZE	A	B	C	D	E	F	G	H	I	J	K	L	M	N	ØO	P	ØQ
ALP17N-F*	187 (7.4)	123 (4.8)	188 (7.4)	73 (2.9)	290 (11.4)	167 (6.6)	220 (8.7)	240 (9.4)	180 (7.0)	200 (7.9)	14 (0.5)	38 (1.5)	35 (1.4)	234 (9.2)	25* (1.0)	428 (16.5)	7 (0.3)
ALP17N-VM*	187 (7.4)	123 (4.8)	188 (7.4)	73 (2.9)	290 (11.4)	167 (6.6)	220 (8.7)	240 (9.4)	180 (7.0)	200 (7.9)	14 (0.5)	38 (1.5)	35 (1.4)	234 (9.2)	25* (1.0)	543 (21.4)	7 (0.3)



ALP25N

Data Sheet

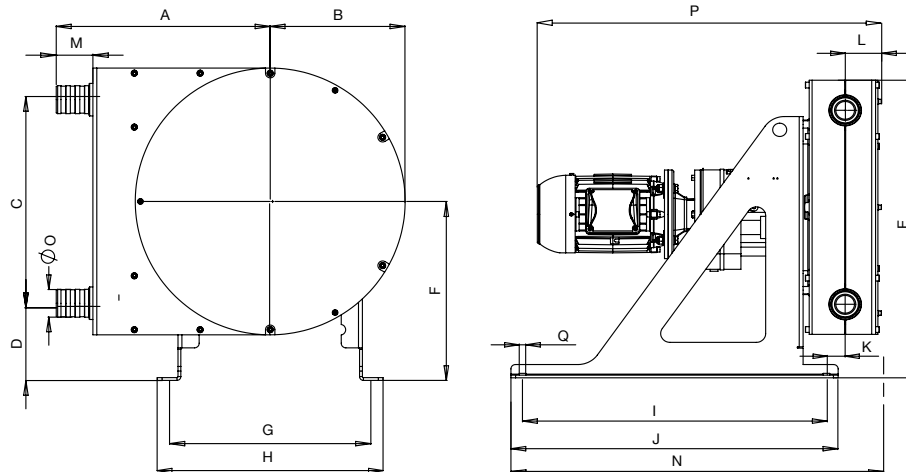


*Intermittent use : minimum one hour stop after 2 hours run / *Occasional use : maximum one hour a day

* 4 bar (60 psi) pressure limit is applicable when using a reinforced hose. The pressure limit when using tubing is 2 bar (30 psi)

DIMENSIONS

mm (Inch)



SIZE	A	B	C	D	E	F	G	H	I	J	K	L	M	N	ØO	P	ØQ
ALP25N-F*	275 (10.8)	165 (6.5)	256 (10.0)	90 (3.5)	383 (15.0)	218 (8.6)	240 (9.4)	270 (10.6)	400 (15.7)	440 (17.3)	18 (0.70)	49 (1.9)	48 (1.9)	482 (19)	38* (1.5)	605 (23.81)	11 (0.4)
ALP25N-VM*	275 (10.8)	165 (6.5)	256 (10.0)	90 (3.5)	383 (15.0)	218 (8.6)	240 (9.4)	270 (10.6)	400 (15.7)	440 (17.3)	18 (0.70)	49 (1.9)	48 (1.9)	482 (19)	38* (1.5)	695 (27.4)	11 (0.4)

* Hose barb

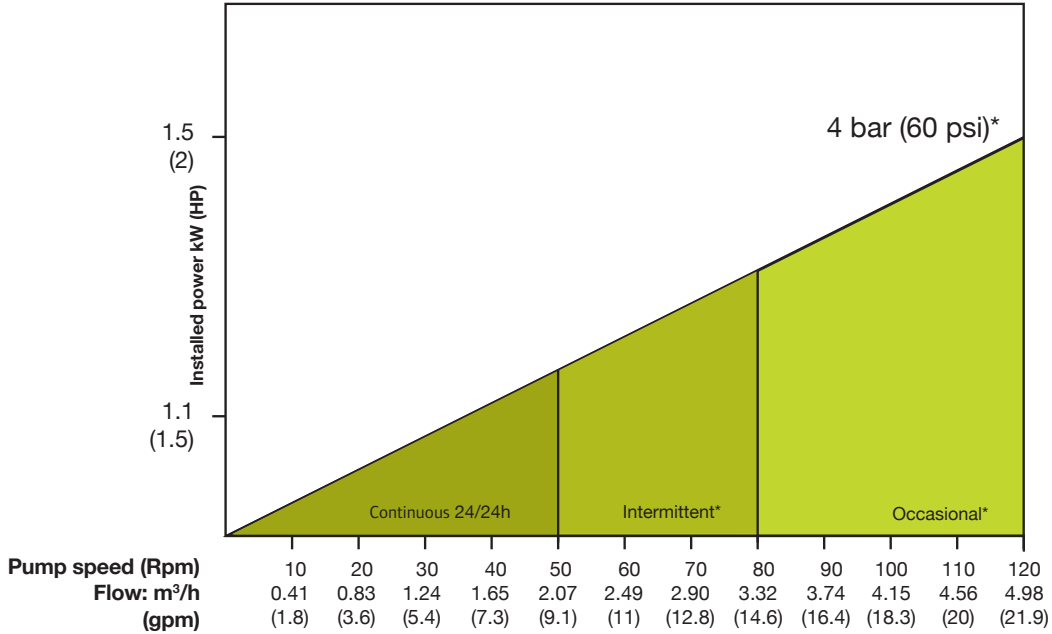
* F = Fixed speed

* VM = Mechanical speed variator



ALP30N

Data Sheet



1 rpm = 0.0415 m³/hr = 0.1827 gpm
 1 rev = 0.6917 L = 0.1827 gal

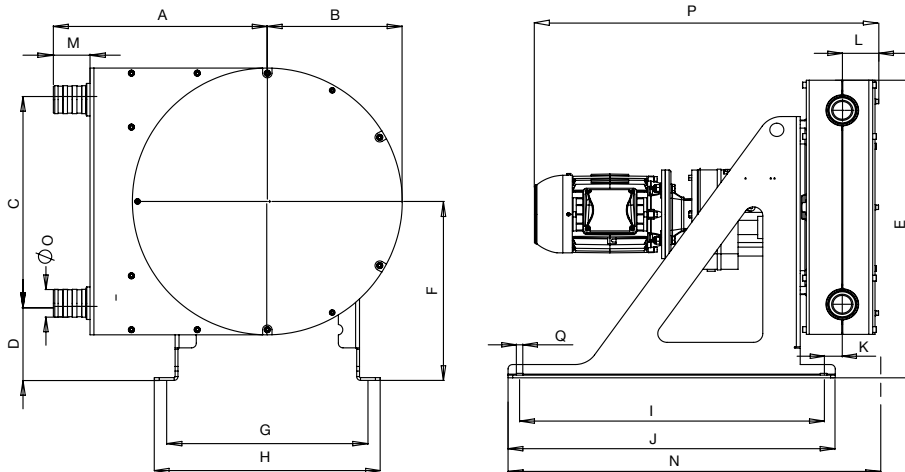
Assembly Weight: 95 kg / 209 lbs

*Intermittent use : minimum one hour stop after 2 hours run / *Occasional use : maximum one hour a day

* 4 bar (60 psi) pressure limit is applicable when using a reinforced hose. The pressure limit when using tubing is 2 bar (30 psi)

DIMENSIONS

mm (Inch)



SIZE	A	B	C	D	E	F	G	H	I	J	K	L	M	N	ØO	P	ØQ
ALP30N-F*	348 (13.7)	226 (8.9)	354 (13.9)	153 (6.0)	557 (21.9)	319 (12.5)	330 (13.0)	386 (15.2)	550 (21.6)	590 (23.2)	23 (0.9)	58 (2.3)	60 (2.4)	651 (25.6)	45* (1.8)	685 (27.0)	14 (0.5)
ALP30N-VM*	348 (13.7)	226 (8.9)	354 (13.9)	153 (6.0)	557 (21.9)	319 (12.5)	330 (13.0)	386 (15.2)	550 (21.6)	590 (23.2)	23 (0.9)	58 (2.3)	60 (2.4)	651 (25.6)	45* (1.8)	795 (31.3)	14 (0.5)

* Hose barb

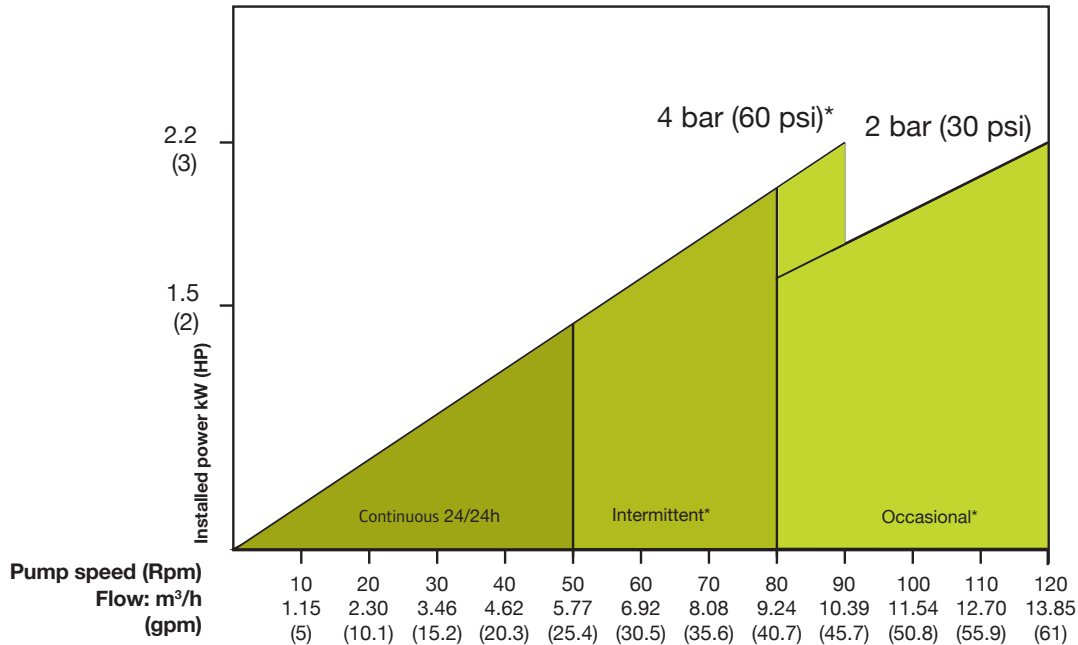
* F = Fixed speed

* VM = Mechanical speed variator



ALP45N

Data Sheet



1 rpm = 0.1154 m³/hr = 0.5081 gpm
 1 rev = 1.9233 L = 0.5081 gal

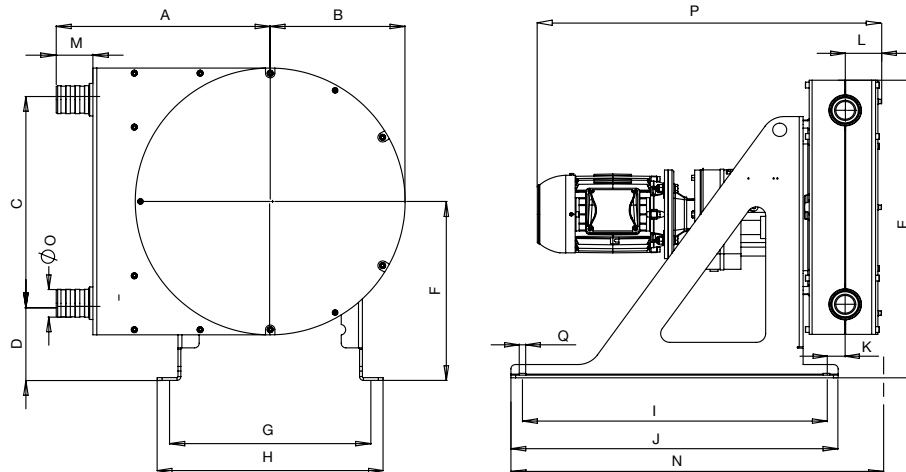
Assembly Weight: 155 kg / 342 lbs

*Intermittent use : minimum one hour stop after 2 hours run / *Occasional use : maximum one hour a day

* 4 bar (60 psi) pressure limit is applicable when using a reinforced hose. The pressure limit when using tubing is 2 bar (30 psi)

DIMENSIONS

mm (Inch)



SIZE	A	B	C	D	E	F	G	H	I	J	K	L	M	N	ØO	P	ØQ
ALP45N-F*	455 (17.9)	287 (11.3)	438 (17.2)	166 (6.5)	672 (26.4)	385 (15.1)	420 (16.5)	480 (18.9)	650 (26.6)	700 (27.5)	41 (1.6)	78 (3.0)	78 (3.0)	793 (31.2)	60* (2.4)	736 (29.0)	14 (0.5)
ALP45N-VM*	455 (17.9)	287 (11.3)	438 (17.2)	166 (6.5)	672 (26.4)	385 (15.1)	420 (16.5)	480 (18.9)	650 (26.6)	700 (27.5)	41 (1.6)	78 (3.0)	78 (3.0)	788 (31.0)	60* (2.4)	847 (33.3)	14 (0.5)

* Hose barb

* F = Fixed speed

* VM = Mechanical speed variator

Distributed by:

www.albinpump.com

albinpump@irco.com



About Ingersoll Rand Inc.

Albin Pump is a brand of Ingersoll Rand and part of the Precision and Science Technologies (PST) business segment. PST consists of a portfolio of complementary, mission critical brands such as Milton Roy®, ARO®, LMI®, Albin Pump, Thomas®, Welch®, Haskel®, Dosatron®, YZ®, Williams®, MP® and Oberdorfer®.

At PST, we deliver solutions for precision dosing and transfer of high value fluids in various markets such as medical, food and beverage, water and hydrogen. For more information, visit www.IRco.com.

We are committed to using environmentally conscious print practices

©2021 Ingersoll Rand
IRITS-0221-004 EN